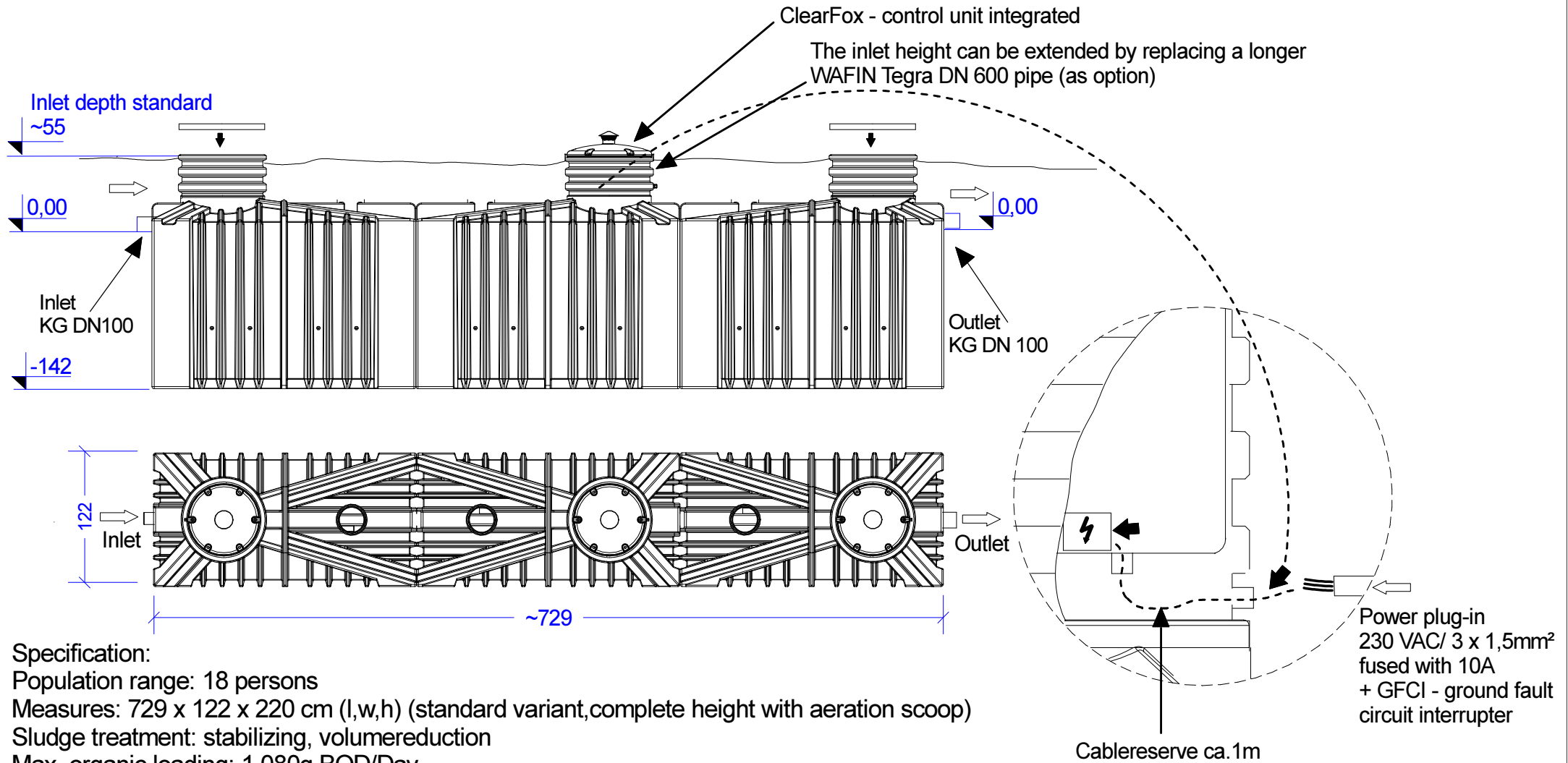


all measures in cm



Specification:

- Population range: 18 persons
- Measures: 729 x 122 x 220 cm (l,w,h) (standard variant, complete height with aeration scoop)
- Sludge treatment: stabilizing, volumereduction
- Max. organic loading: 1.080g BOD/Day
- Max. average daily flow: 2.700 L
- Max. blower power consumption: 0,25 kw
- Weight (total/plug&play): ~540 kg
- Total capacity: 10.500 L

ClearFox- QuickONE +
small wwtp 18 p.e.
Single chamber SBR system
according EN 12566-3